

Display viscosity changes through sensitive torque measuring sensor: the new STARVISC measuring stirrers make it possible. The device covers a broad range of applications and is particularly helpful during product development: STARVISC already clearly indicates while running research programmes as to whether the stirred substance can be used as desired.

STARVISC 200-2.5 CONTROL

/// The only device that can do everything at the same time



HIGH-PRECISION MEASUREMENT

During the mixing process a highly sensitive torque measuring sensor allows further conclusions on viscosity changes, directly in the product. This eliminates the regular sampling, rather time consuming offline measurement process.

VISCOSITY CALCULATION

The viscosity can be correlated from the torque readings based on a well defined set-up under reproducible conditions.

REMOVABLE CONTROL UNIT

The modern TFT display is removable. This means that STARVISC can also be controlled from a safe distance.

POWERFUL STIRRER

Even highly viscous substances can be intensively stirred using the powerful STARVISC stirrer. Quantities of up to 100 liters can be processed.

STARVISC 200-2.5 control

\$ 7,318.00

Ident. No. 0020006998



TECHNICAL DATA	STARVISC 200-2.5 CONTROL
Stirring quantity max. (H ₂ O)	100 l
Torque max. at stirring shaft	200 Ncm
Torque I max.	200 Ncm
Torque II max.	40 Ncm
Speed range I (high torque)	0 6 – 400 rpm
Speed range II (high speed)	0 30 – 2000 rpm
Display	TFT
Viscosity max.	100 000 mPas
Dimensions (W x H x D)	91 x 395 x 231 mm
Protection class according to DIN EN 60529	IP 40

Name	Description	Ident. No.	Price
------	-------------	------------	-------

ACCESSORIES STARVISC 200-2.5 CONTROL

STIRRING ELEMENTS

R 1302	Dissolver stirrer, Ø 100 mm	0002387900	\$ 751,00
R 1330	Anchor stirrer, Ø 45 mm	0002022300	\$ 361,00
R 1331	Anchor stirrer, Ø 90 mm	0002022400	\$ 403,00
R 1345	Propeller stirrer, 4-bladed, Ø 100 mm	0000741300	\$ 284,00
R 1375	Paddle stirrer, Ø 70 mm	0000757700	\$ 365,00

BOSS HEAD CLAMPS

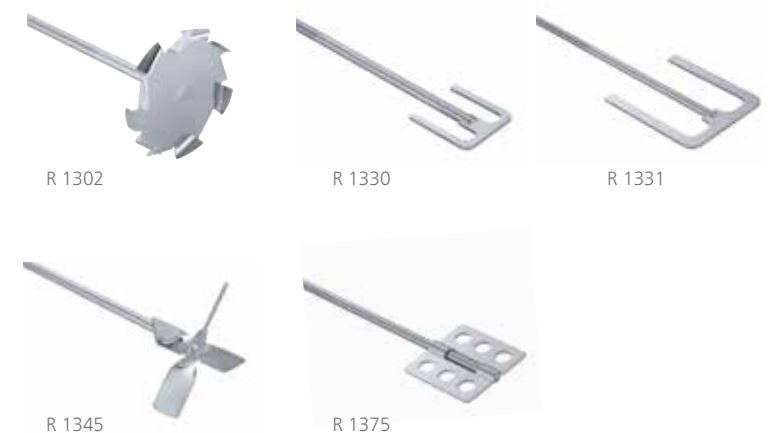
R 270	Boss head clamp, clamping range Ø 25 – 36 mm	0002657800	\$ 49,00
R 271	Boss head clamp, clamping range Ø 34 mm	0002664000	\$ 73,00

STANDS

R 2722	H-stand, 1010 mm	0001412000	\$ 495,00
R 2723	Telescopic stand, H 620 – 1010 mm	0001412100	\$ 540,00

SOFTWARE

labworldsoft® 6 Starter	For configurations up to 3 devices	0020019397	\$ 5,485.00
labworldsoft® 6 Pro	For all configurations – any no. of devices can be controlled at the same time	0020017366	\$ 12,892.00



“Flow” is the term used to describe the wonderful mental state in which everything moves along by itself. And with the IKA viscometers, you can have the perfect flow in your laboratory. The new ROTAVISC range determines the viscosity of liquids in all applications, from the laboratory to quality control. The four devices each take measurements in different viscosity ranges. Smooth, fast and precise. The measuring process is intuitive and standardized, as well as working with the familiar IKA menu structure for laboratory devices.

ROTAVISC HELI COMPLETE

/// Viscosity measurement in motion

The viscometers in the ROTAVISC range can now be used with the motorized HELISTAND. It moves the mounted viscometer and its rotating body slowly and uniformly up and down in the sample. This way, the flow properties of highly viscous samples, such as creams, pastes, paints or gelatins can be measured reliably.

FOR HIGHLY VISCOUS SAMPLES

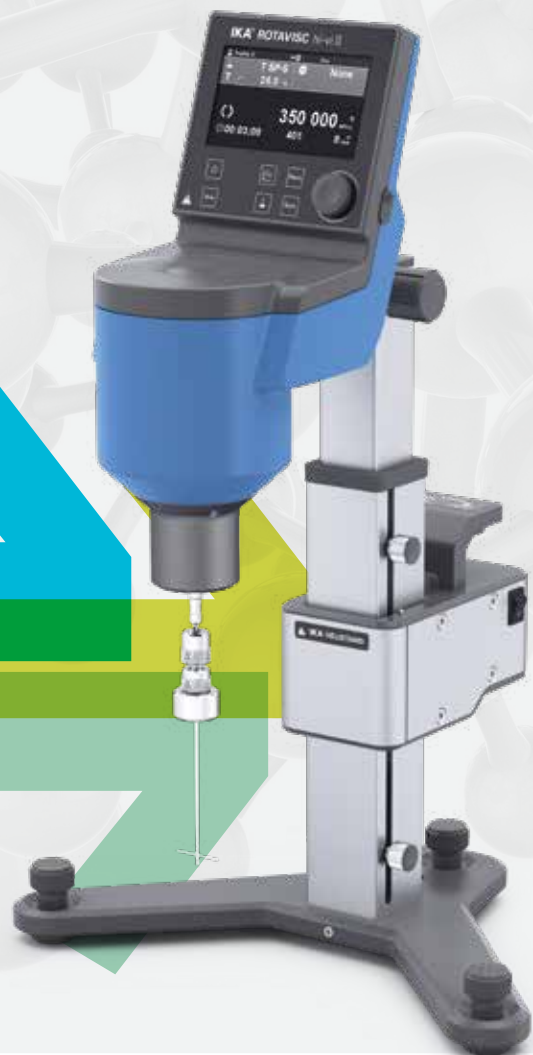
The ROTAVISC HELI Complete package includes both a viscometer and stand, and is ideal for highly viscous samples. A static viscometer would run empty here. Highly viscous samples would simply be forced to the edge by the rotational movements. The HELISTAND prevents this and provides meaningful viscosity measurements by slowly moving the incorporated T-spindles up and down.

BALANCING ON 3 LEGS

The HELISTAND has three legs. This design has a positive effect on the balancing of the rotating body in the sample bowl and provides an even more reliable measurement of the viscosity of viscous samples.

USER-FRIENDLINESS

Using, installing and cleaning the HELISTAND couldn't be easier. The ROTAVISC viscometer is simply placed onto the stand's drive motor and the T-shaped needle spindle is attached to the viscometer.



① ROTAVISC lo-vi Complete

\$ 3,395.00

Ident. No. 0025000310

② ROTAVISC me-vi Complete

\$ 3,395.00

Ident. No. 0025000311

③ ROTAVISC hi-vi I Complete

\$ 3,395.00

Ident. No. 0025000312

④ ROTAVISC hi-vi II Complete

\$ 3,395.00

Ident. No. 0025000313



* After device registration on www.ika.com/register

TECHNICAL DATA	ROTAVISC
Viscosity accuracy	± 1 % FSR
Viscosity repeatability	0.2 % FSR
Display	TFT
Working temperature	Min.: -100 °C Max.: +300 °C
Speed	0.01 – 200 rpm
Speed setting accuracy	in range 0.01 – 1: 0.01 rpm in range 1 – 200: 0.1 rpm
Temperature measurement resolution	0.1 K
Connection for ext. temperature sensor	PT 100
Interfaces	USB, RS 232,
Dimensions (W × H × D)	351 × 629 × 372 mm
Weight	7.1 kg
Protection class according to DIN EN 60529	IP 40

MEASURING RANGES	
ROTAVISC lo-vi	
Viscosity measuring range*	1 – 6 000 000 mPas
ROTAVISC me-vi	
Viscosity measuring range	100 – 40 000 000 mPas
ROTAVISC hi-vi I	
Viscosity measuring range	200 – 80 000 000 mPas
ROTAVISC hi-vi II	
Viscosity measuring range	800 – 320 000 000 mPas

* 1 mPas with ELVAS-1

① ROTAVISC lo-vi Complete
+ labworldsoft® 6 Visc

Price on request
Ident. No. 0025000310 + 0020101872

② ROTAVISC me-vi Complete
+ labworldsoft® 6 Visc

Price on request
Ident. No. 0025000311 + 0020101872

③ ROTAVISC hi-vi I Complete
+ labworldsoft® 6 Visc

Price on request
Ident. No. 0025000312 + 0020101872

④ ROTAVISC hi-vi II Complete
+ labworldsoft® 6 Visc

Price on request
Ident. No. 0025000313 + 0020101872



LABORATORY SOFTWARE
labworldsoft® 6 Visc
\$ 1,196.00
Ident. No. 0020019532



① ROTAVISC lo-vi HELI Complete

\$ 4,231.00
Ident. No. 0025008214

② ROTAVISC me-vi HELI Complete

\$ 4,231.00
Ident. No. 0025008216

③ ROTAVISC hi-vi I HELI Complete

\$ 4,231.00
Ident. No. 0025008217

④ ROTAVISC hi-vi II HELI Complete

\$ 4,231.00
Ident. No. 0025008218





ROTASTAND



HELISTAND

Product	Description	Ident. No.	Price
STANDS			
ROTASTAND	Stand for ROTAVISC	0020006787	on request
HELISTAND	Electrical stand for ROTAVISC	0020026649	\$ 1,044.00
HELISTAND Set	Electrical stand incl. T-spindle set	0025008233	on request
SOFTWARE			
labworldsoft® 6 Visc	Laboratory software	0020019532	\$ 1,196.00



HELISTAND Set



Adapter: DINS-1



Adapter: O DIN S-1



Adapter: VOLS-1



Hook Connector

Quick Connector



Spindle set: VAN-1

Product	Description	Ident. No.	Price
ADAPTERS			
DINS-1	DIN adapter set	0025000387	\$ 1,387.00
O DIN S-1	Open DIN adapter set	0025000326	\$ 1,387.00
SAS-1	Spiral adapter set	0025000377	\$ 805.00
ELVAS-1	Extremely low viscosity adapter set	0025000390	\$ 1,018.00
VOLS-1	Low volume adapter set	0025000352	\$ 994.00
T-SP-Set	T-spindle set	0025007765	\$ 508.00
ACCESSORIES VISCOMETERS			
DWB 600	Double-walled beaker 600 ml	0020024575	\$ 966.00
BH 600	Clamp for 600 ml beaker	0025000400	\$ 152.00
Hook Connector	Hook connector for spindles	0025000338	\$ 301.00
Quick Connector	Quick connector for spindles	0025000339	\$ 306.00
PT 100.8	Temp. sensor, stn. steel, Ø 3 mm, 75 mm	0025000413	on request
SPINDLE SET			
SP set-1	Standard spindle set (SP1 - SP4)	0025000319	\$ 232.00
SP set-2	Standard spindle set (SP7 - SP12)	0025000329	\$ 197.00
VAN-1	Vane spindle set	0025000407	\$ 712.00



SP-5

SP-6



VOL-SP-7.1

VOL-SP-11



VOL-SP-9

VOL-SP-2.1



VOL-C-RTD-3.8

Product	Description	Ident. No.	Price
SPINDLES SINGLE			
SP-1	Standard spindle	0025006828	on request
SP-2	Standard spindle	0025006829	on request
SP-3	Standard spindle	0025006830	on request
SP-4	Standard spindle	0025006831	on request
SP-5	Standard spindle	0025006832	\$ 159.00
SP-6	Standard spindle	0025006833	\$ 159.00
SP-7	Standard spindle	0025006834	on request
SP-8	Standard spindle	0025006835	on request
SP-9	Standard spindle	0025006836	on request
SP-10	Standard spindle	0025006837	on request
SP-11	Standard spindle	0025006838	on request
SP-12	Standard spindle	0025006839	on request
VAN-SP-1	Vane spindle	0025006853	\$ 424.00
VAN-SP-2	Vane spindle	0025006854	\$ 344.00
VAN-SP-3	Vane spindle	0025006855	\$ 314.00
VAN-SP-4	Vane spindle	0025006856	on request
VAN-SP-5	Vane spindle	0025008376	\$ 344.00
VOL-SP-7.1	Spindle for VOLS-1, 7.1 ml	0025006849	\$ 356.00
VOL-SP-16.1	Spindle for VOLS-1, 16.1 ml	0025006848	\$ 367.00
VOL-SP-10.4	Spindle for VOLS-1, 10.4 ml	0025006850	\$ 367.00
VOL-SP-11	Spindle for VOLS-1, 11 ml	0025006851	\$ 367.00
VOL-SP-13.5	Spindle for VOLS-1, 13.5 ml	0025006852	\$ 367.00
VOL-SP-9	Spindle for VOLS-1, 9 ml	0025006846	\$ 367.00
VOL-SP-9.4	Spindle for VOLS-1, 9.4 ml	0025006847	\$ 367.00
VOL-SP-2.1	Spindle for 2.1 ml chamber	0025007061	\$ 367.00
VOL-C-RTD-2.1	2.1 ml chamber for VOLS-1	0025007064	\$ 404.00
VOL-SP-3.8	Spindle for 3.8 ml chamber	0025007062	\$ 367.00
VOL-C-RTD-3.8	3.8 ml chamber for VOLS-1	0025007065	\$ 404.00
VOL-SP-4.2	Spindle for 4.2 ml chamber	0025007063	\$ 367.00
VOL-C-RTD-4.2	4.2 ml chamber for VOLS-1	0025007066	\$ 404.00
ELVAS-C-C	Closed chamber for ELVAS-1	0025008373	\$ 312.00



CAL-O-5



CAL-O-100000

Product	Description	Ident. No.	Price
STANDARD SILICONE OILS			
CAL-O-5	Standard silicone oil, 5 mPas, 25 °C, 500 ml	0025000397	\$ 148.00
CAL-O-10	Standard silicone oil, 10 mPas, 25 °C, 500 ml	0025000398	\$ 148.00
CAL-O-50	Standard silicone oil, 50 mPas, 25 °C, 500 ml	0025000399	\$ 148.00
CAL-O-100	Standard silicone oil, 100 mPas, 25 °C, 500 ml	0025000434	\$ 148.00
CAL-O-500	Standard silicone oil, 500 mPas, 25 °C, 500 ml	0025000435	\$ 148.00
CAL-O-1000	Standard silicone oil, 1000 mPas, 25 °C, 500 ml	0025000436	\$ 148.00
CAL-O-5000	Standard silicone oil, 5000 mPas, 25 °C, 500 ml	0025000437	\$ 148.00
CAL-O-12500	Standard silicone oil, 12 500 mPas, 25 °C, 500 ml	0025000466	\$ 148.00
CAL-O-30000	Standard silicone oil, 30 000 mPas, 25 °C, 500 ml	0025000467	\$ 148.00
CAL-O-60000	Standard silicone oil, 60 000 mPas, 25 °C, 500 ml	0025000468	\$ 148.00
CAL-O-100000	Standard silicone oil, 100 000 mPas, 25 °C, 500 ml	0025000469	\$ 148.00